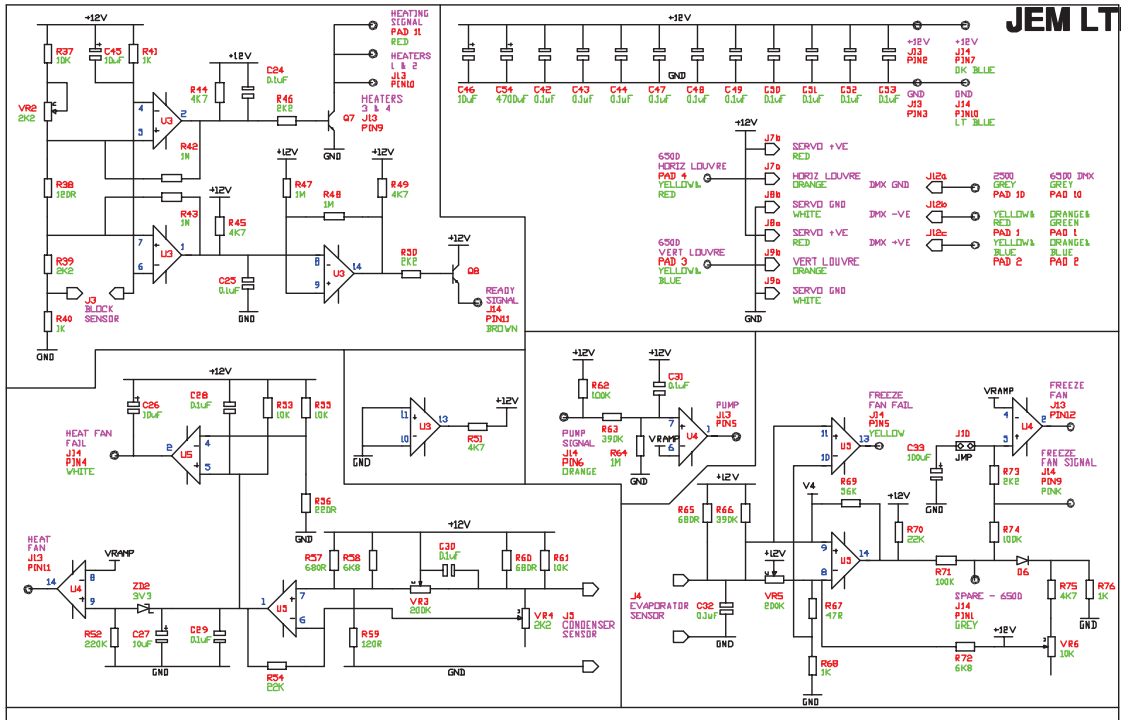


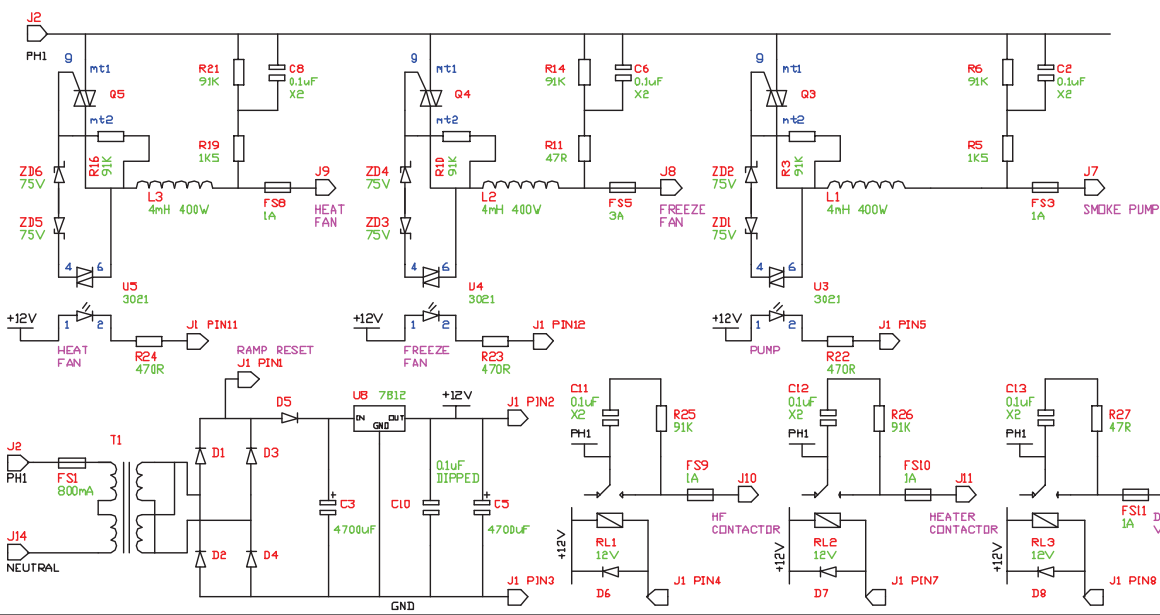
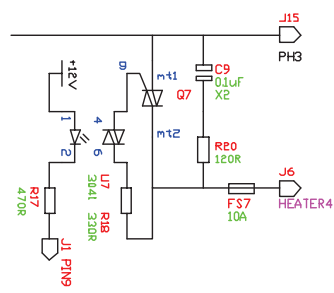
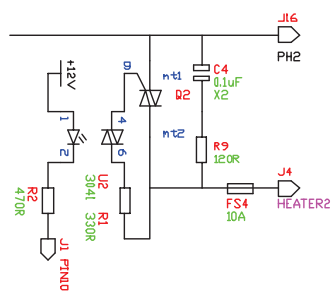


JEM LTD.



DRAWN BY: BPW DATE: 01.12.1996 TITLE: JF6500/HF2500 MOTHERBOARD - PART2 DWG NO: N&PW047REV.1





- J1 PIN1: RAMP RESET
- J1 PIN2: +12V
- J1 PIN3: GND
- J1 PIN4: HF CONTACTOR PUMP
- J1 PIN5: PUMP
- J1 PIN6: HEATER CONTACTOR
- J1 PIN7: DEFROST
- J1 PIN8: HEATERS 3&4
- J1 PIN9: HEATERS 1&2
- J1 PIN10: HEAT FAN
- J1 PIN11: FREEZE FAN
- J1 PIN12: FREEZE FAN

DRAWN BY CPW

DATE 15,12,1996 TITLE HF2500 TRIGGERBOARD

DWG NO CPW051REV.